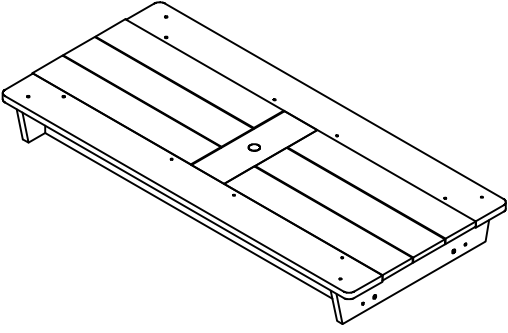
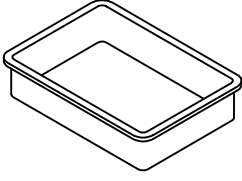
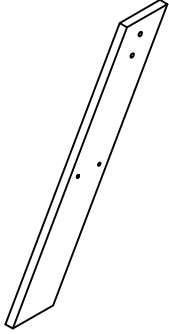
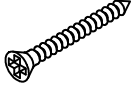

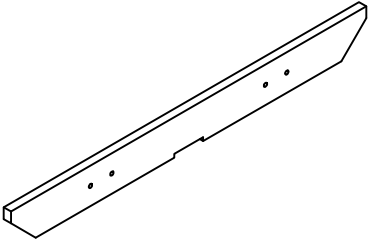

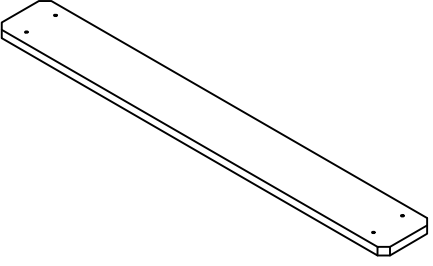

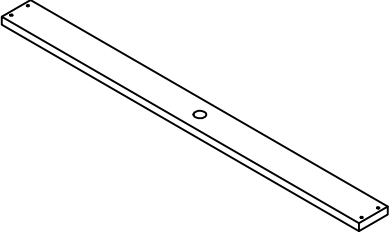
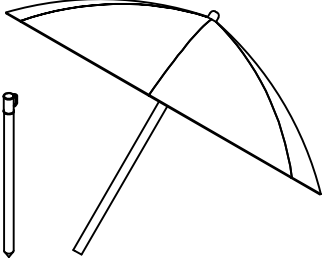


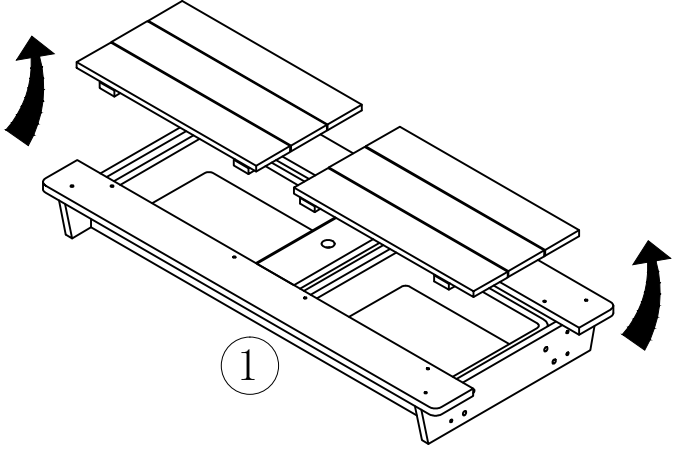
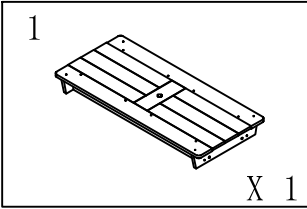
Picknicktable waterfun with umbrella

ART. NR. 7850031

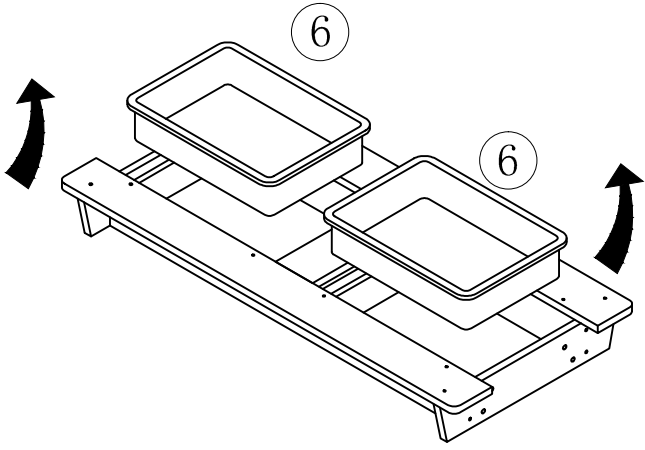
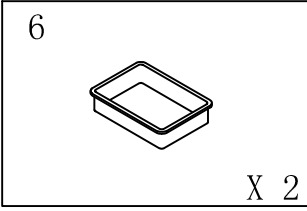


1		1PC	6		1PC
2		4PCS	A	 3x35MM	12PCS
			B	 M6*45MM	8PCS
3		2PCS	C	 M6*30MM	8PCS
4		2PCS	D	 M6*15MM	16PCS
5		1PC	E		1PC

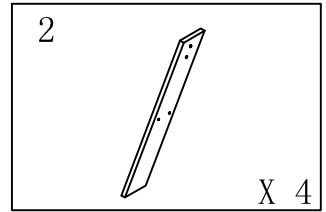
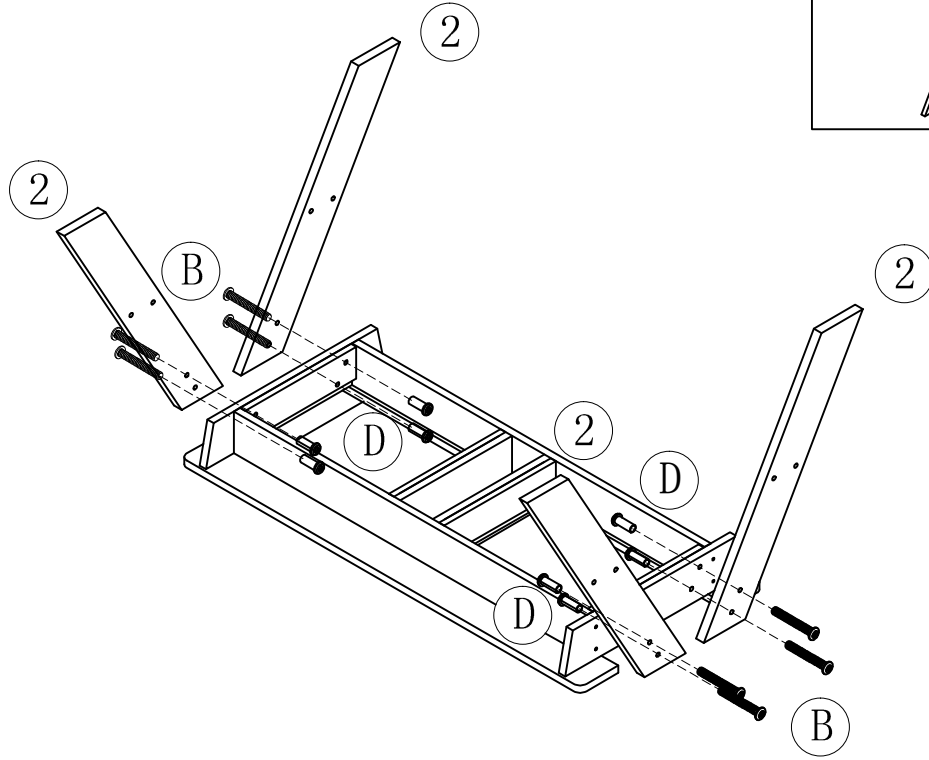
1



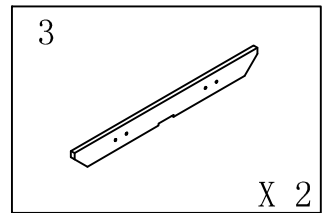
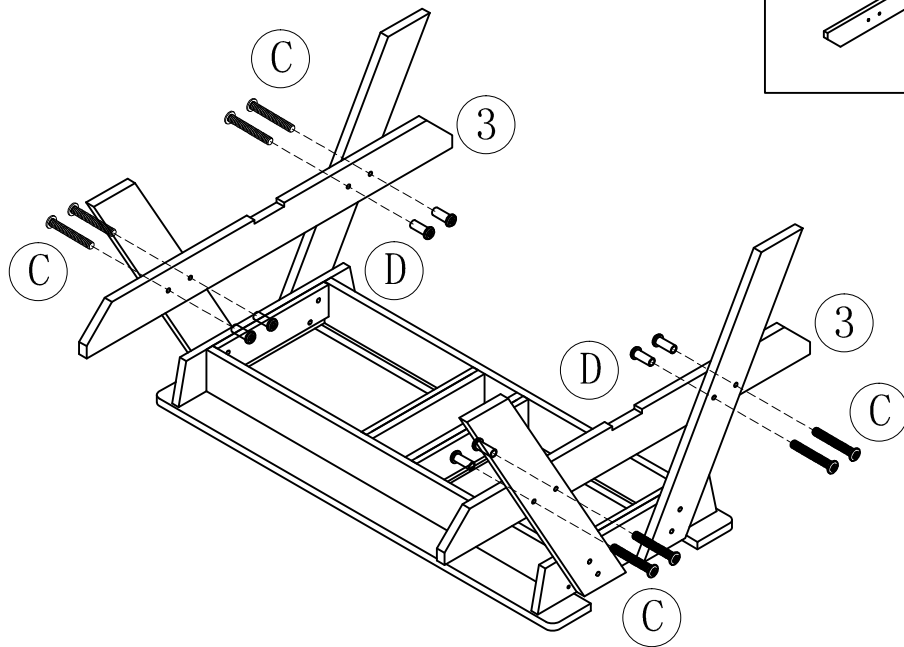
2



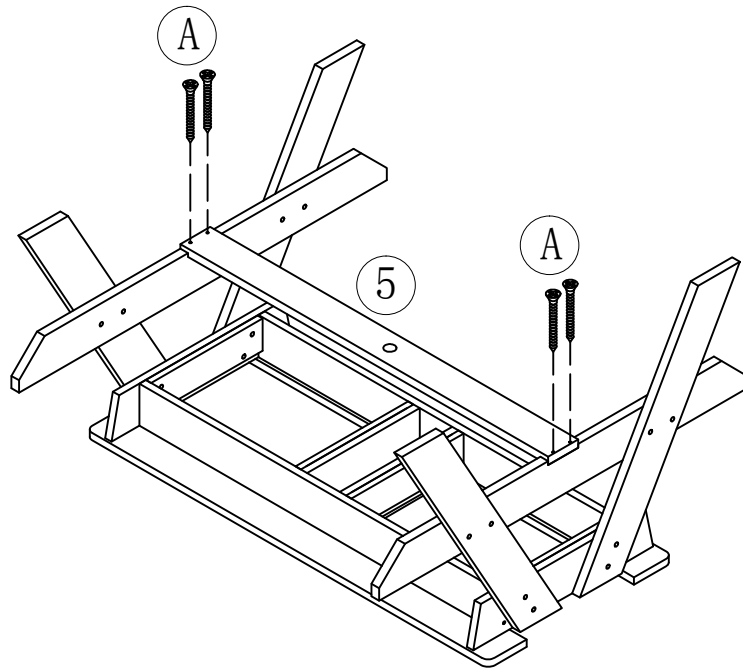
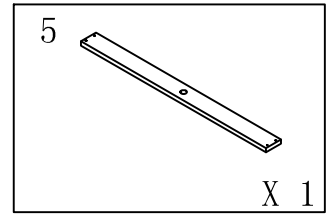
3



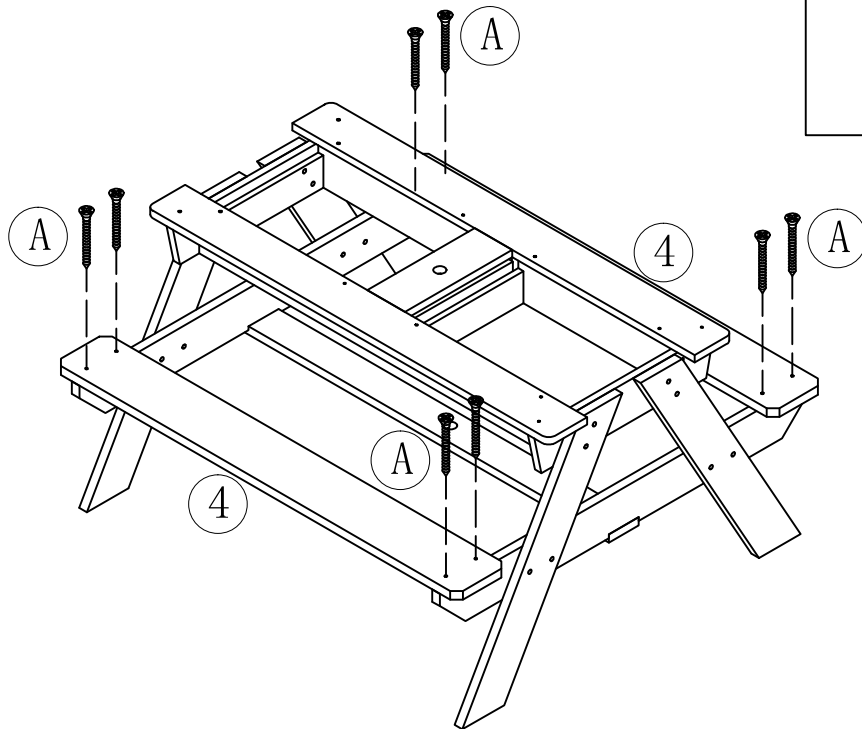
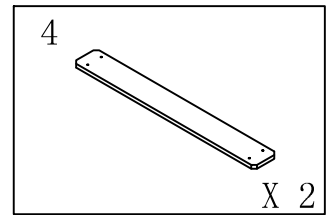
4



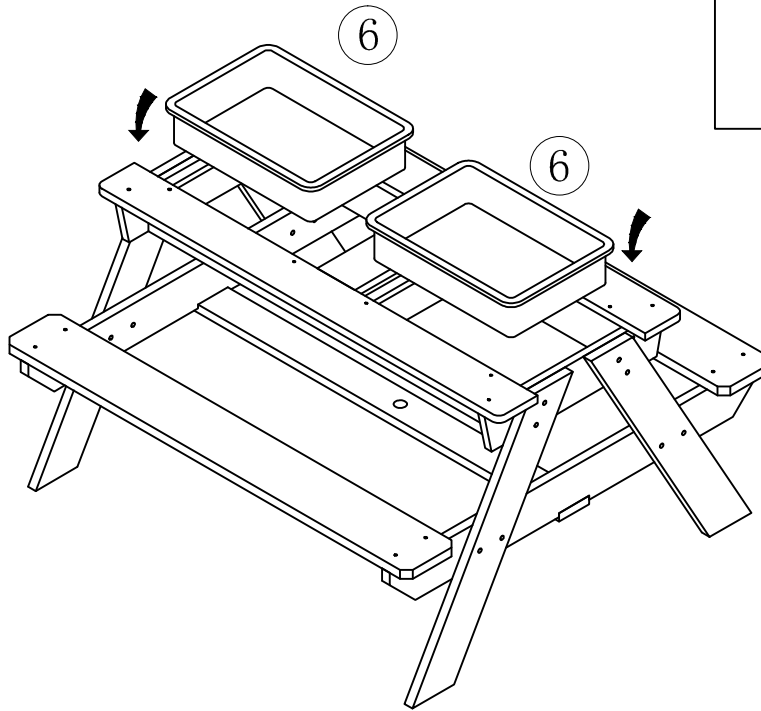
5



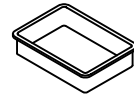
6



7

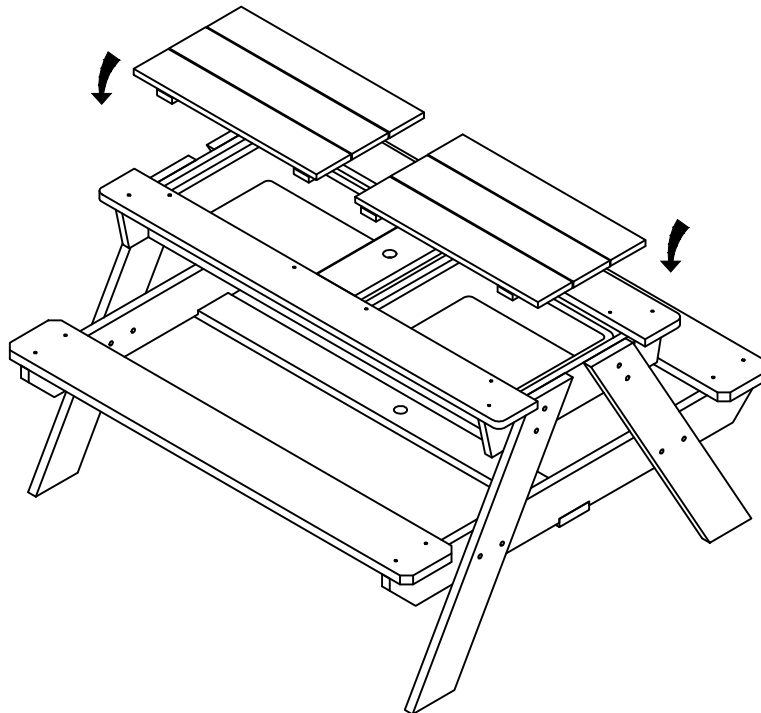


6

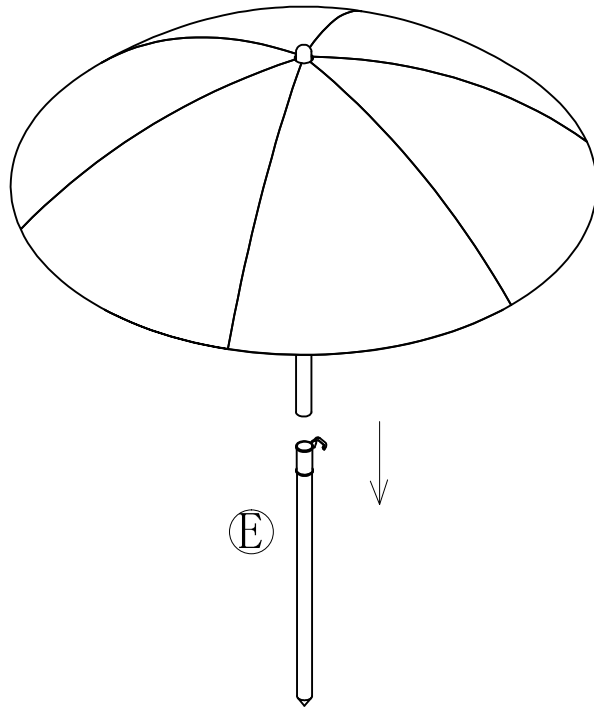


X 2

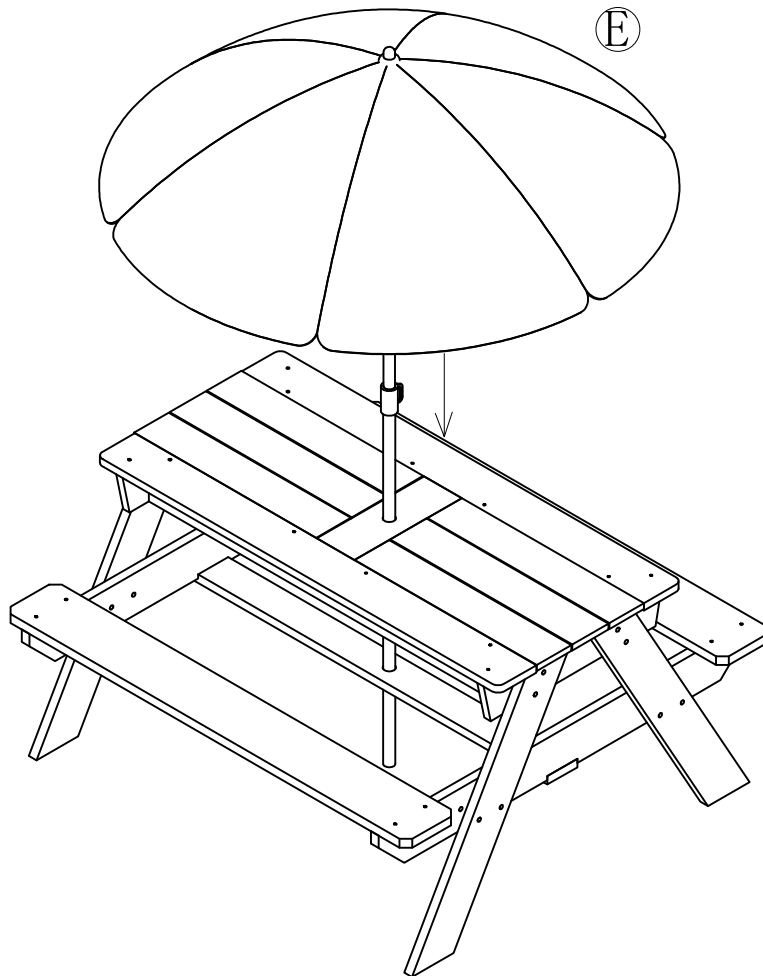
8



9



10





Scan for terms
and conditions

+31(0)318 692 221

www.swingking.nl

Swing King IS A BRAND OF:

HAPRO INTERNATIONAL

