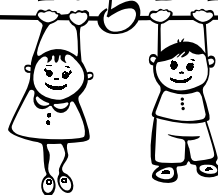


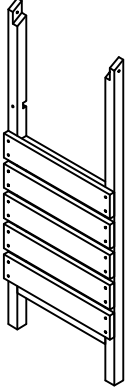
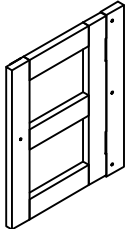
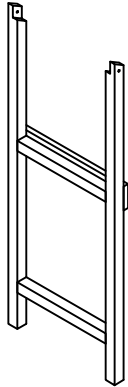
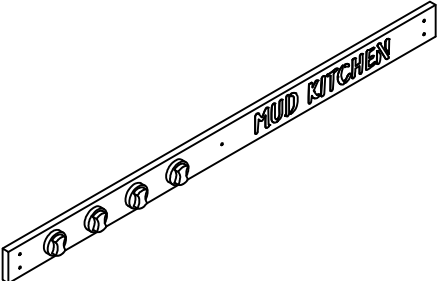
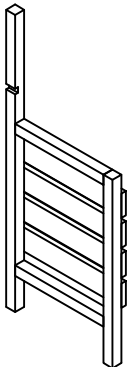
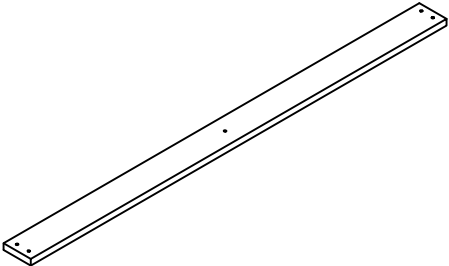
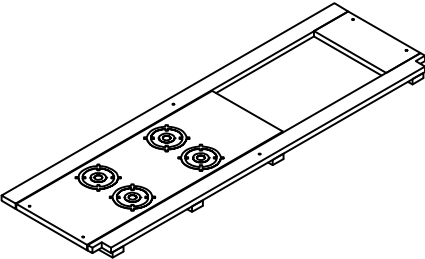
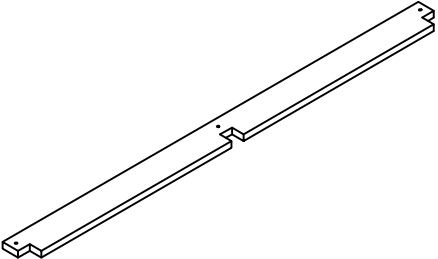
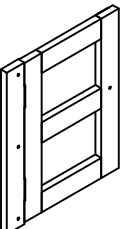
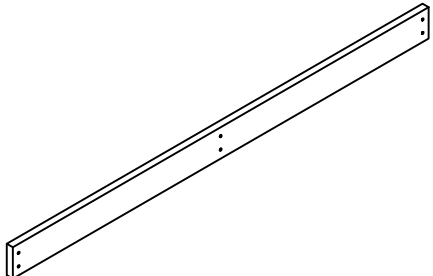
Mudkitchen Deluxe

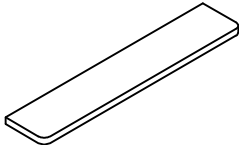
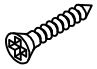

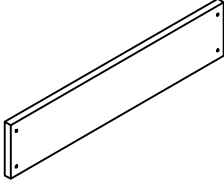
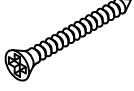
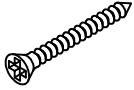
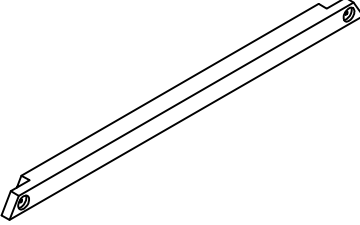
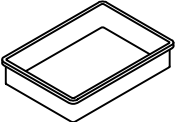
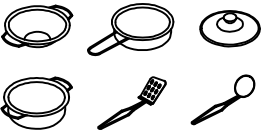
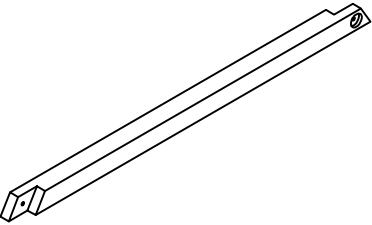
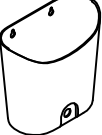

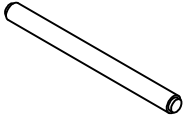
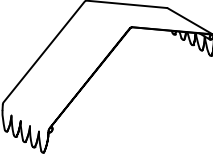
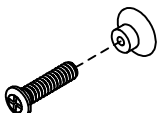
ART. NR. 7850058



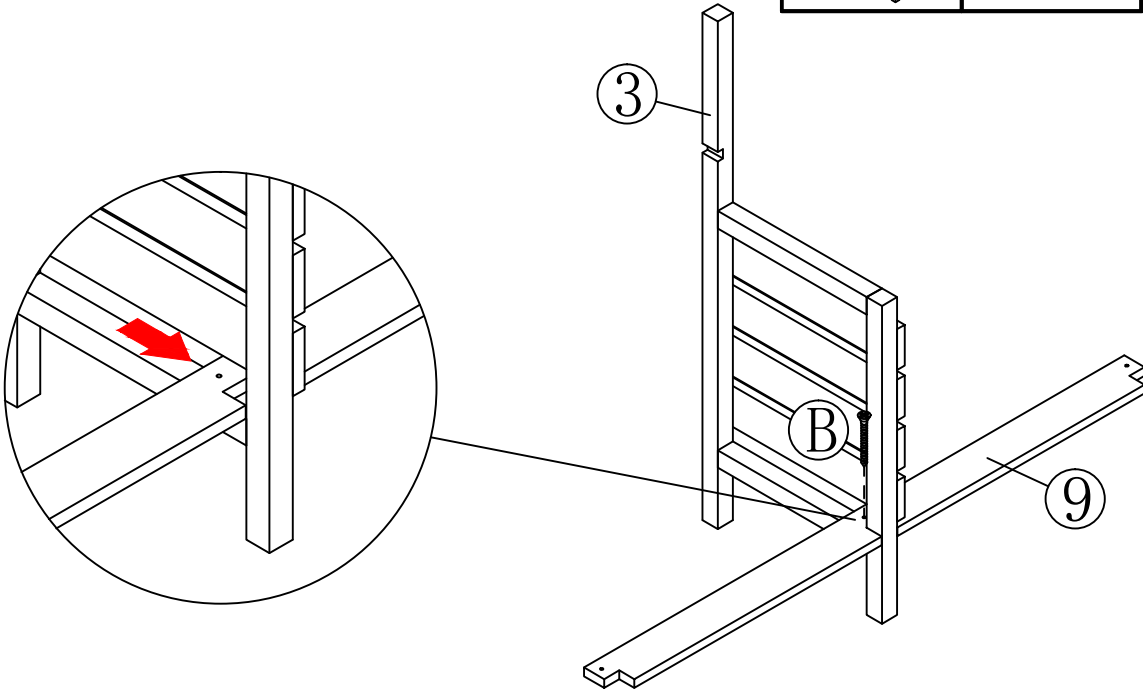
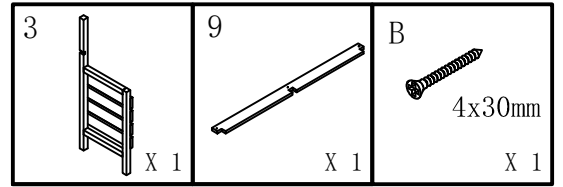
Swing King



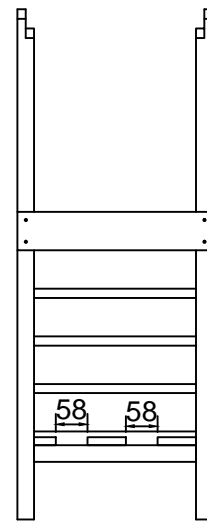
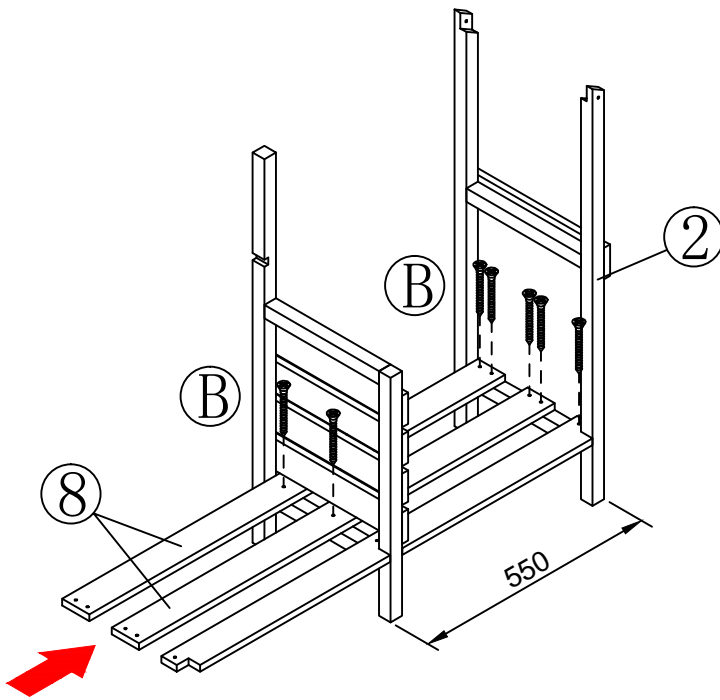
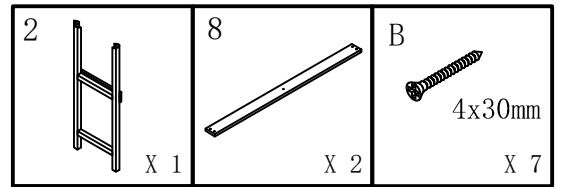
1		1PC	6		1PC
2		1PC	7		1PC
3		1PC	8		2PCS
4		1PC	9		1PC
5		1PC	10		2PCS

11		1PC	A	 3x20mm	2PCS
			B	 4x30mm	46PCS
12		1PC	C	 4x40mm	2PCS
			D	 4x60mm	6PCS
13		2PCS	E		1PC
			F		1PC
14		2PCS	G		1PC
			H		1PC
15		3PCS	I		1PC
			J	 4x20mm	2PCS

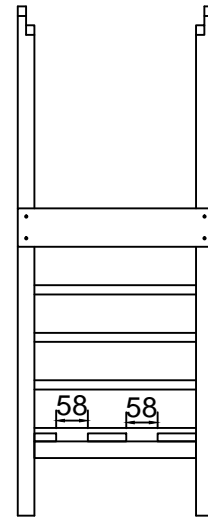
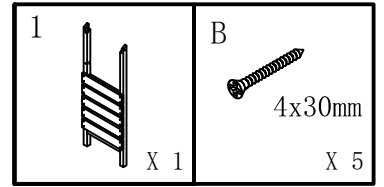
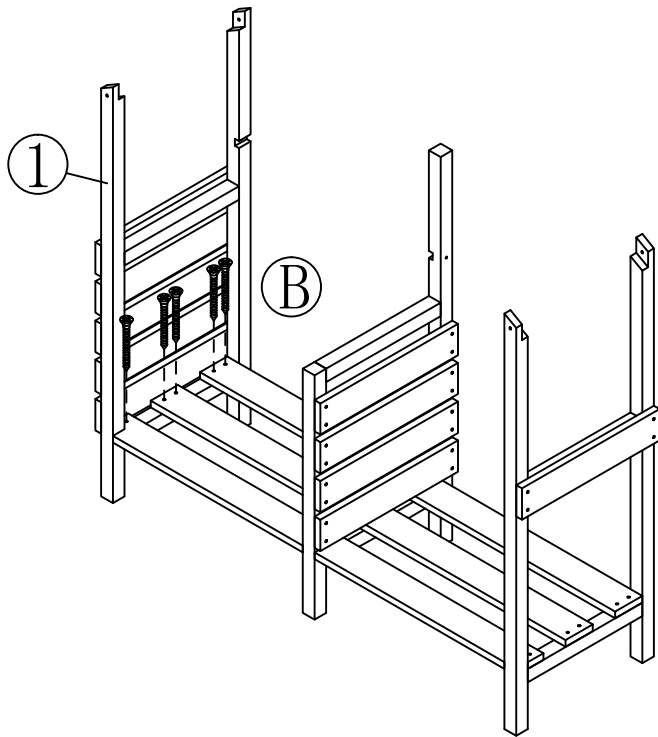
1



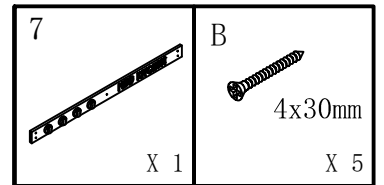
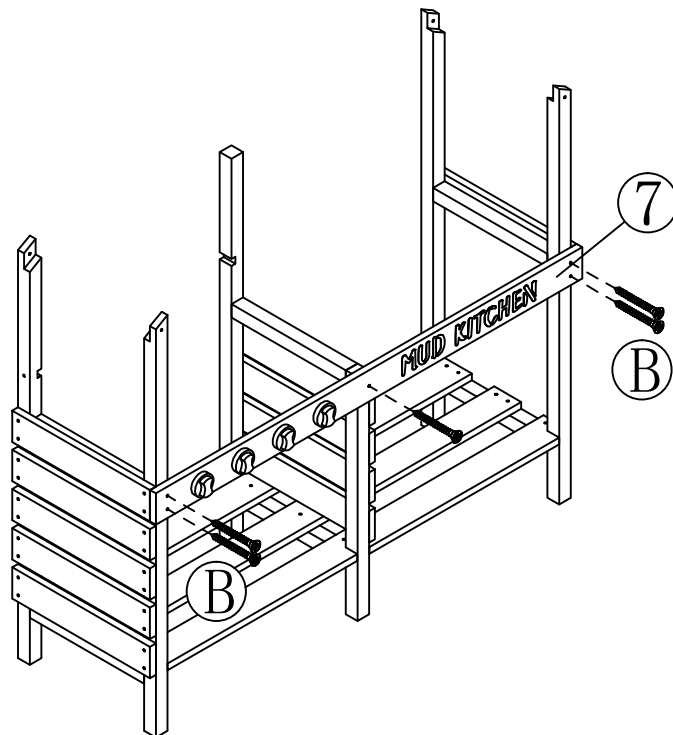
2



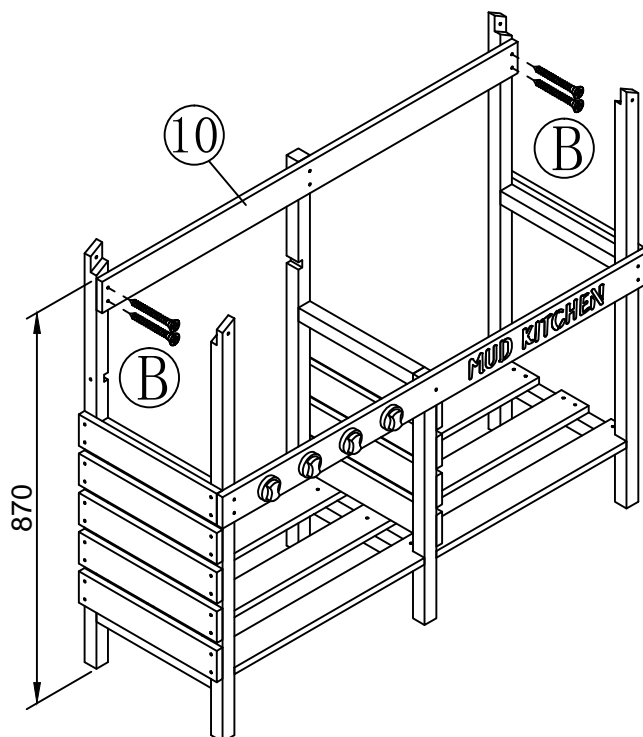
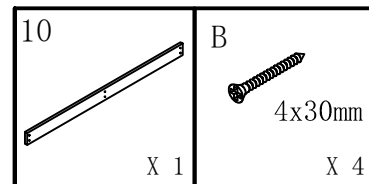
3



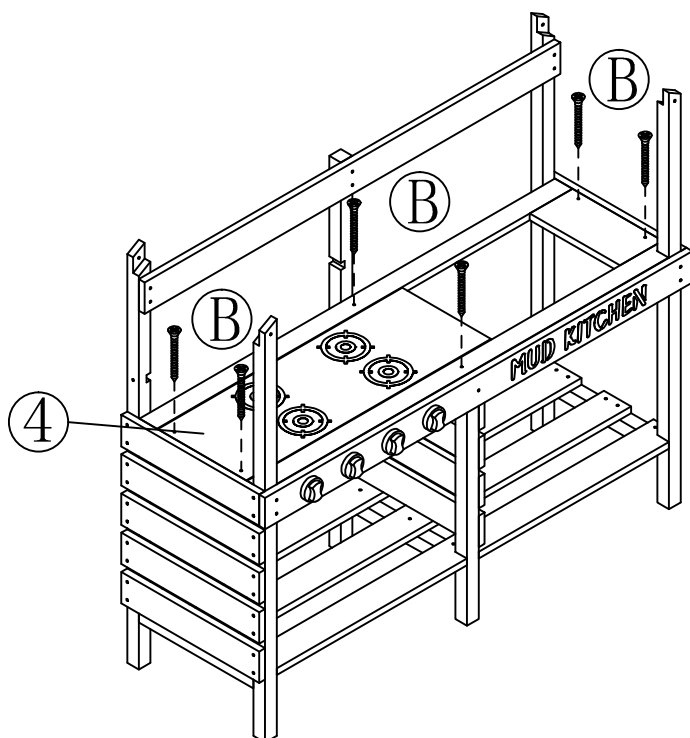
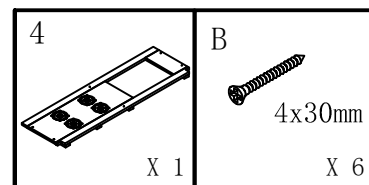
4



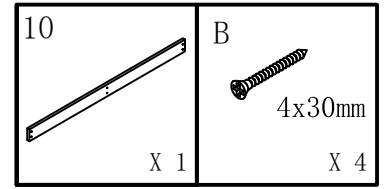
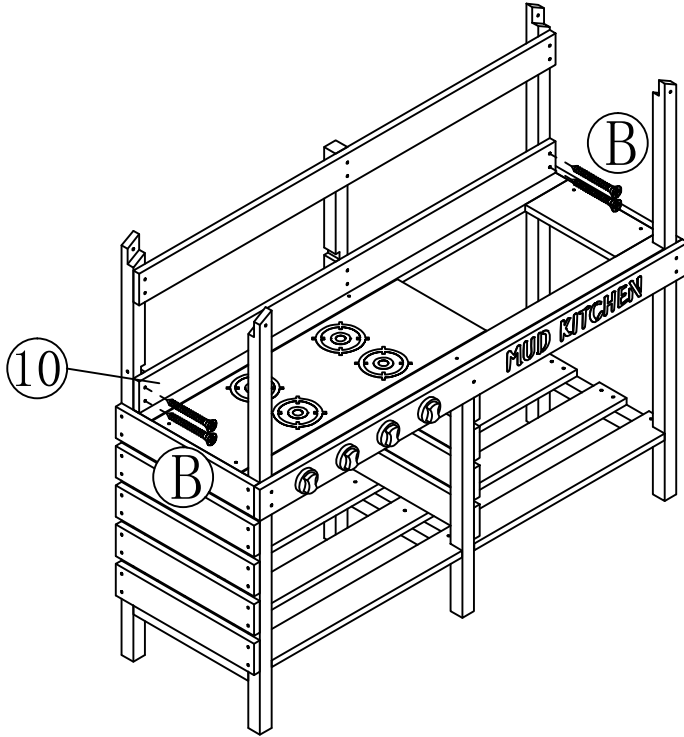
5



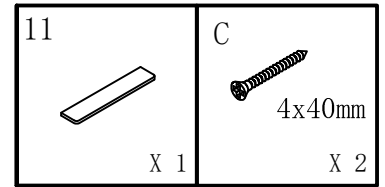
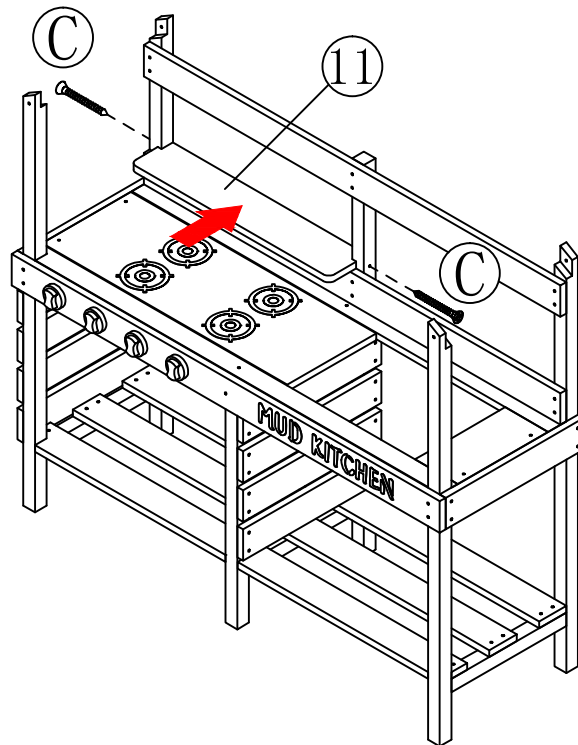
6



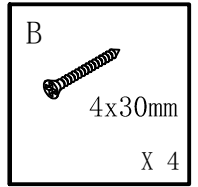
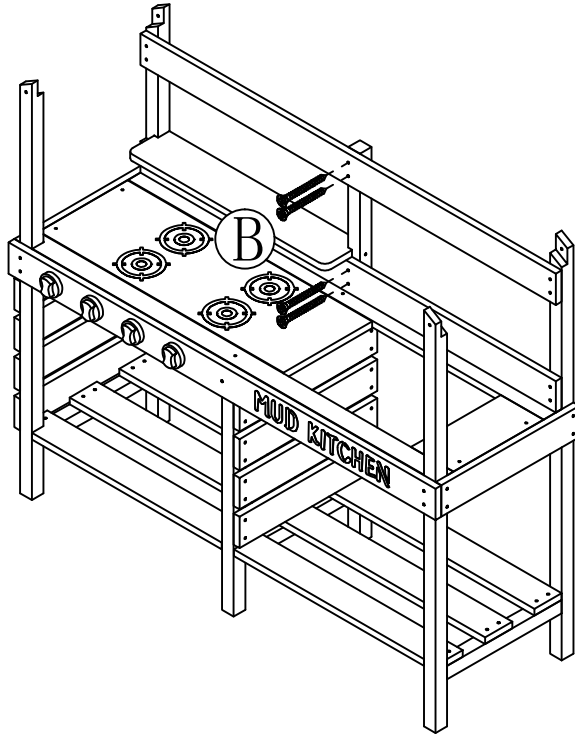
7



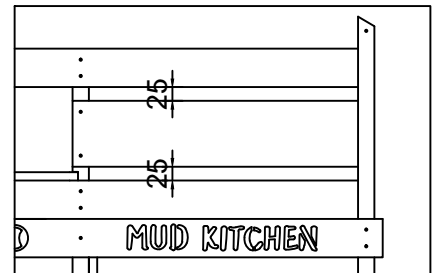
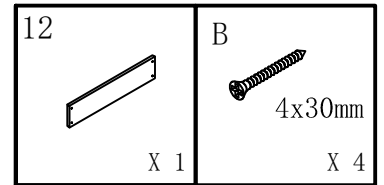
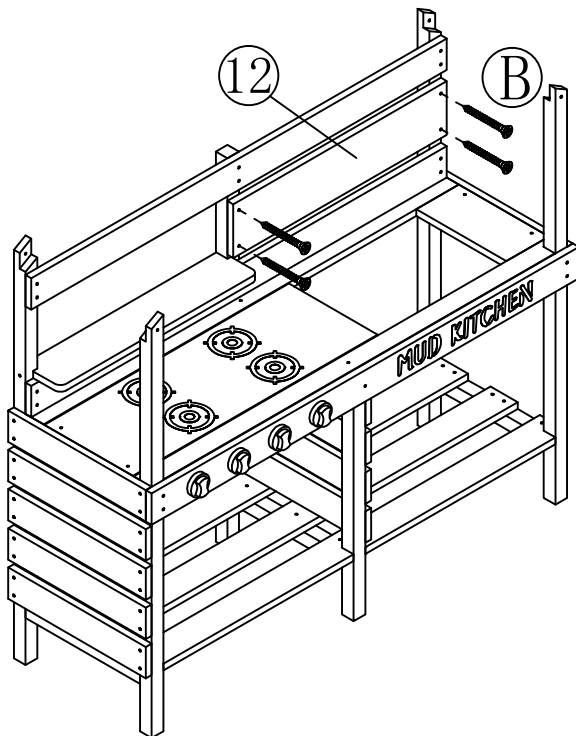
8

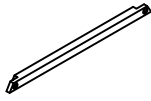
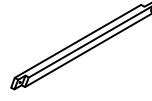
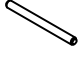
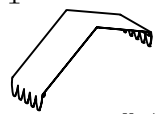



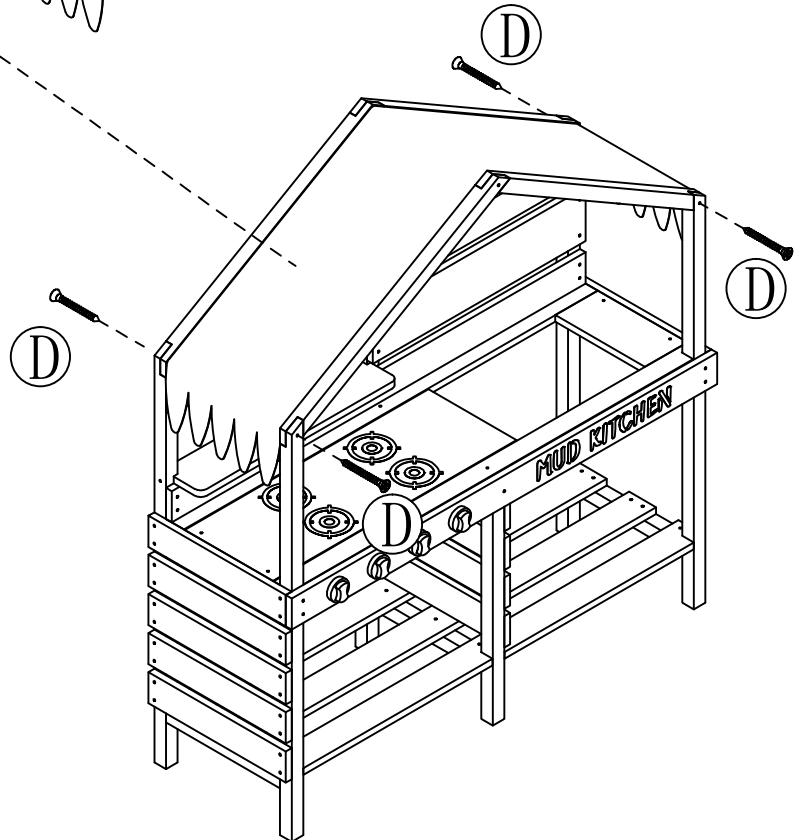
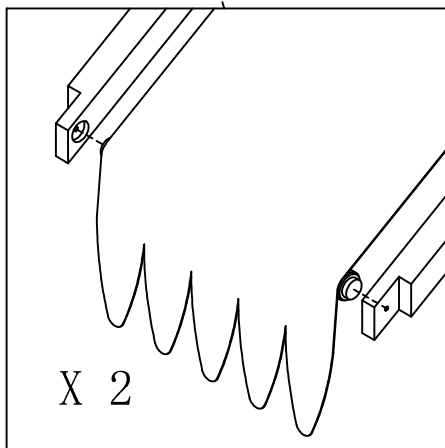
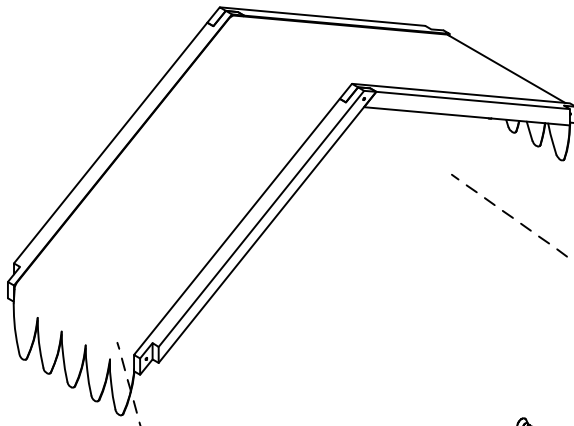
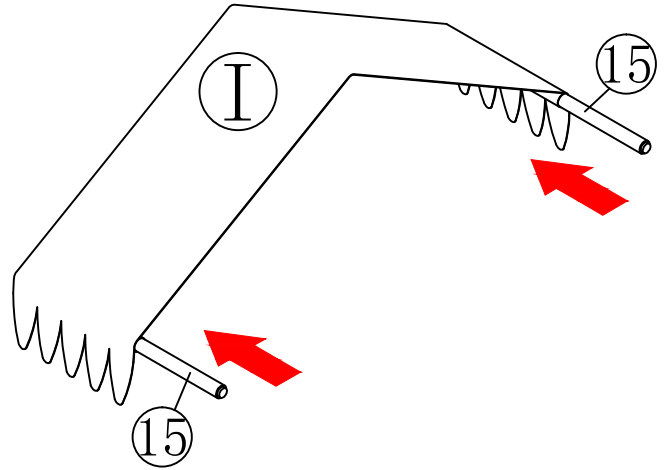
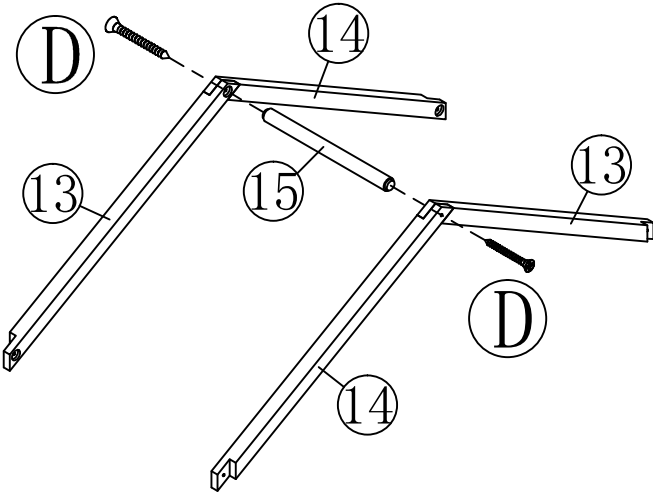
9



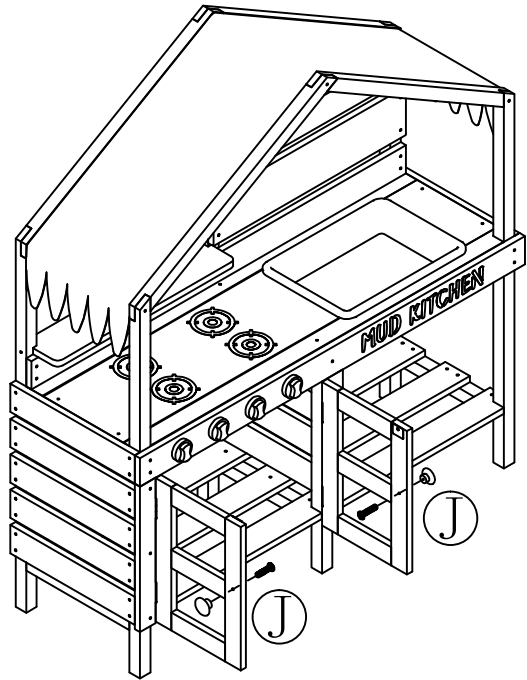
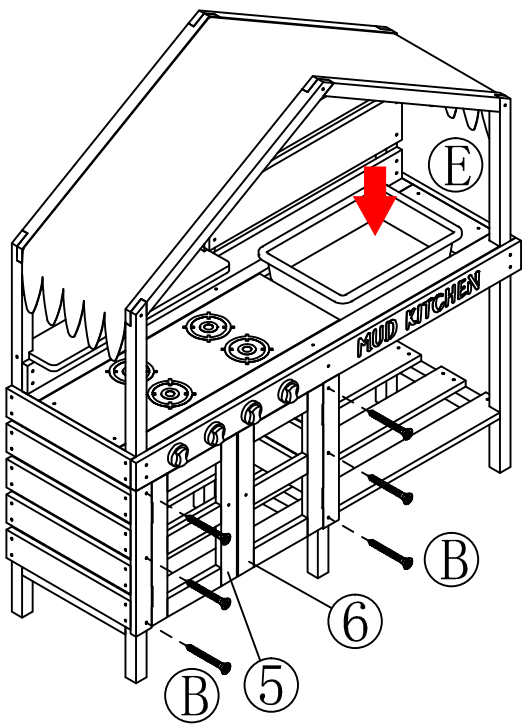
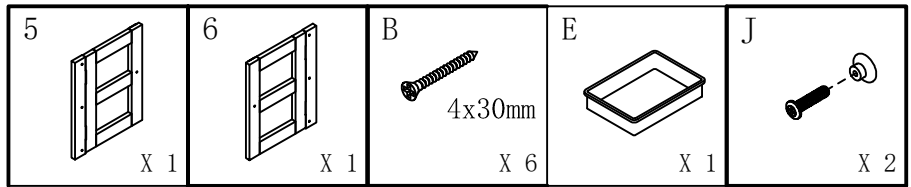
10



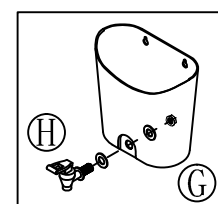
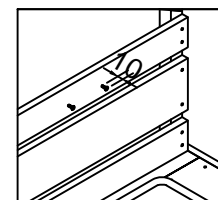
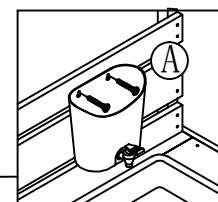
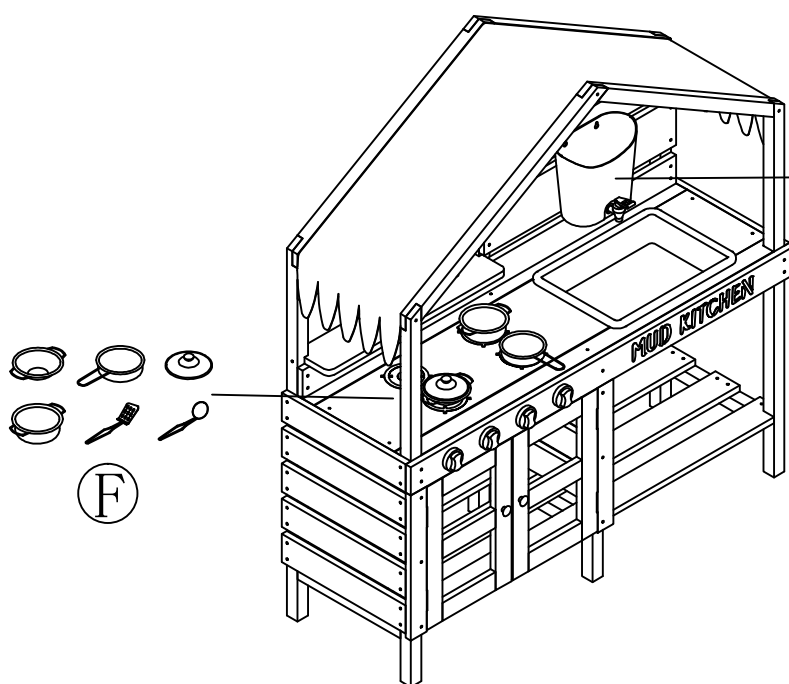
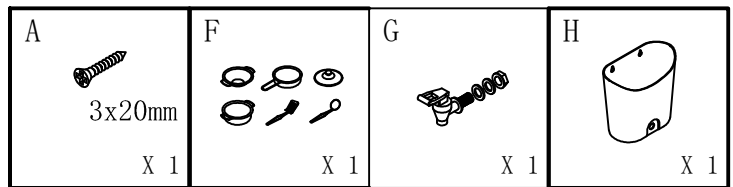
<p>13</p>  <p>X 2</p>	<p>14</p>  <p>X 2</p>	<p>15</p>  <p>X 3</p>
<p>I</p>  <p>X 1</p>		<p>D</p>  <p>4x60mm</p> <p>X 6</p>

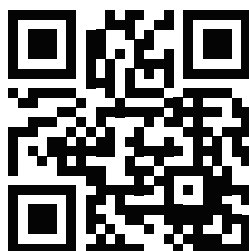


12



13





Scan for terms
and conditions

+31(0)318 692 221
www.swingking.nl

Swing King IS A BRAND OF:

HAPRO INTERNATIONAL

